



Part number: SV2

Electric Data

Primary nominal current RMS (I_{pn})	10mA	
Primary current, measuring range (I_p , Amp)	0 ± 20 mA	
Measuring resistance	Rmin	Rmax
@ ± 10 mA 15V	0	150 Ω
@ ± 20 mA 15V	0	50 Ω
Secondary nominal current RMS	50mA	
Coil turns ratio	40000:2000	
Auxiliary supply voltage	± 15 ($\pm 5\%$)	
Current consumption	31mA+ I_{output}	

Accuracy-Dynamic performance Data

Overall accuracy @ I_{pn} , @25 °C	$\leq \pm 0.7\%$
Linearity error	$< 0.1\%$
Offset current @ $I_p=0$, @25 °C	$< \pm 0.2\text{mA}$
Temperature drift @ $I_p=0$, @-25°C...70°C	$\pm 0.2\text{mA}$ (Typical) $\pm 0.3\text{mA}$ (Max)
@-40°C...85°C	$\pm 0.5\text{mA}$ (Max)
Response time @90%* V_{pn} ,	20..100uS

General Data

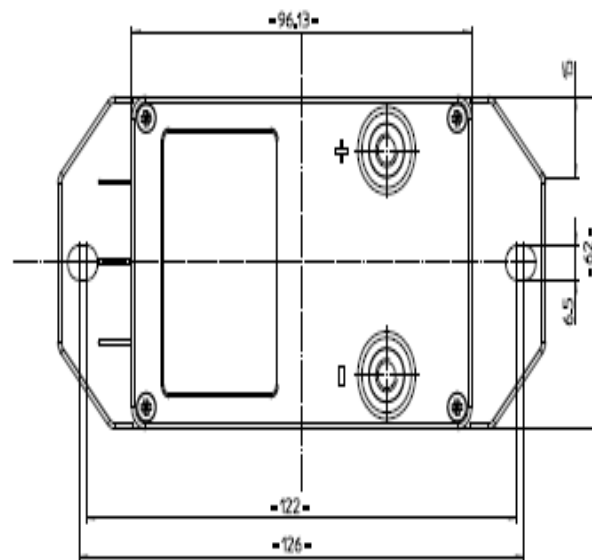
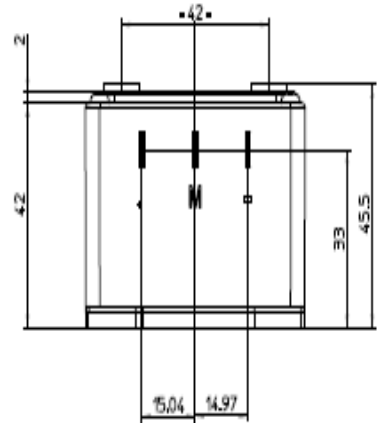
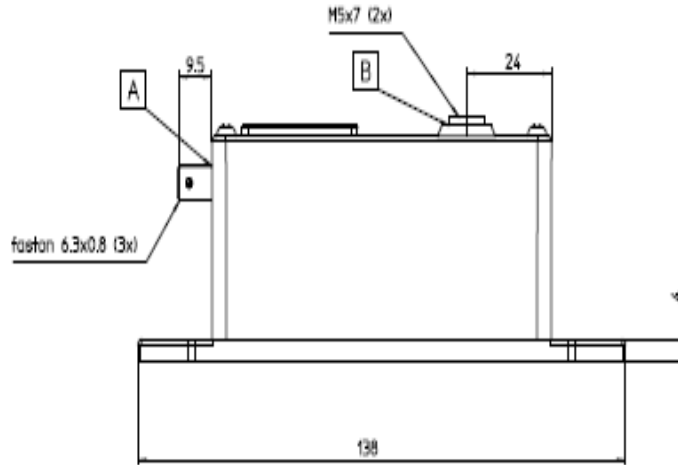
Ambient operating temperature T_a	-40°C..+85°C
Ambient storage temperature T_s	-40°C..+90°C
Primary coil resistance @70 °C	1900 Ω
Secondary coils resistance @70°C	60 Ω
Mass	460g
Housing	PA66+GS15%
Standard	EN50178: 1997

Dimension(mm)

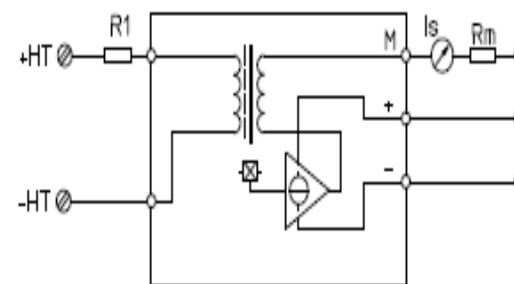
3E

Hall Effect Voltage Transducer

Shenzhen 3E Sensor Co., Ltd <http://www.3ese.com>



Connection



General Tolerance: 0.3mm