

# 3E

## Hall Effect Current Transducer

Shenzhen 3E Sensor Co., Ltd <http://www.3ese.com>



Part Number: SZ4131

**Electric Data**

Type	primary nominal RMS current ( $I_{pn}$ Amp)	Primary measuring range ( $I_p$ , Amp)
SZ4131-200A	$\pm 200$	$\pm 600$
SZ4131-400A	$\pm 400$	$\pm 1200$
SZ4131-500A	$\pm 500$	$\pm 1500$
SZ4131-600A	$\pm 600$	$\pm 1800$
SZ4131-800A	$\pm 800$	$\pm 2400$
SZ4131-1000A	$\pm 1000$	$\pm 2500$
SZ4131-1200A	$\pm 1200$	$\pm 2500$
SZ4131-1500A	$\pm 1500$	$\pm 2500$

Auxiliary supply voltage	$\pm 15V$
Insulation resistance@500VDC	$>1000M\ \Omega$
Current consumption	$\pm 15mA$
Output Voltage@ $I_{pn}$ $R_L=10K\ \Omega$ @25 °C	$\pm 4V$
Output internal resistance	$100\ \Omega$
Load resistance	$>10K\ \Omega$

**Accuracy - Dynamic Performance Data**

Overall accuracy @ $I_{pn}$ , @25 °C	$\leq \pm 1\%$
Linearity Error(0 $I_{pn}$ )	$\leq \pm 1\%$
Offset voltage @ $I_p=0$ , @25 °C	$< \pm 20mV$
Hysteresis offset voltage @ $I_p=0$ after an excursion of $1* I_{pn}$	$< \pm 10mV$
Temperature offset drift@ $I_p$ , @-40 °C...80 °C	$< \pm 1mV/ \text{ }^\circ C$
@80 °C...105°C	$< \pm 1.5mV/ \text{ }^\circ C$
Temperature output drift	$< \pm 0.1\%/ \text{ }^\circ C$
Response time@90%* $I_{pn}$ ,	$< 5\mu s$
di/dt accurately followed (di/dt)	$> 50A/\mu s$
Band width	DC...25KHz

## General Data

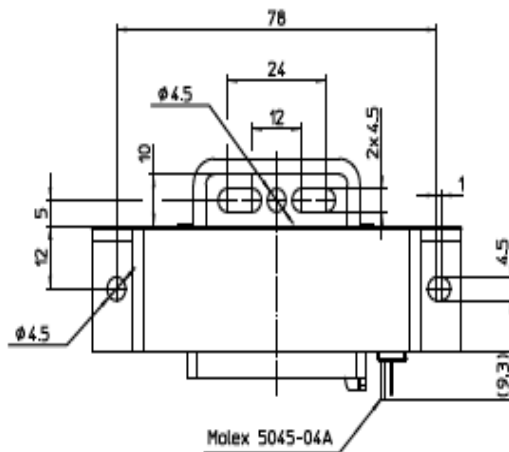
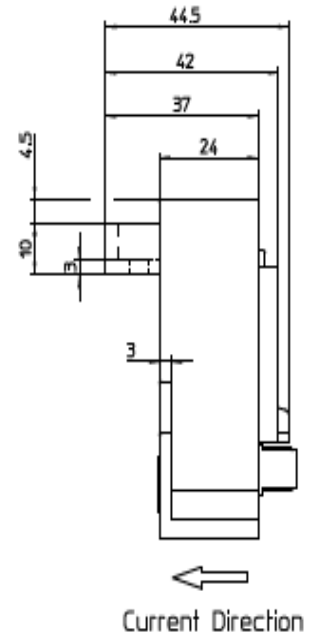
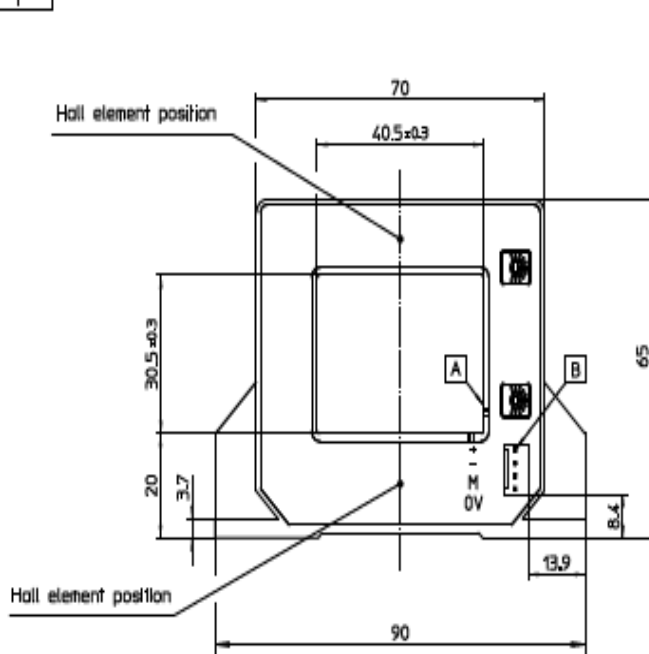
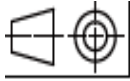
Ambient operating temperature $T_A$	-40°C..+105°C
Ambient storage temperature $T_s$	-40°C..+105°C
Mass	300g
Standard	EN50178/UL508
Housing	PA66+GS15%

# 3E

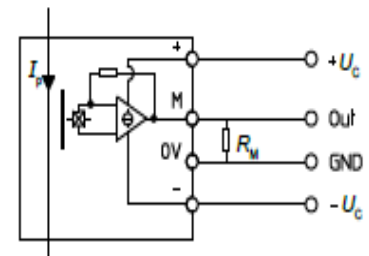
## Hall Effect Current Transducer

Shenzhen 3E Sensor Co., Ltd <http://www.3ese.com>

Dimensions(mm):



Connection



	$d_{CS}$	$d_{CS}$
A-B	11 mm	11 mm

General Tolerance  $\pm 1\text{mm}$

Connector: Molex 5045