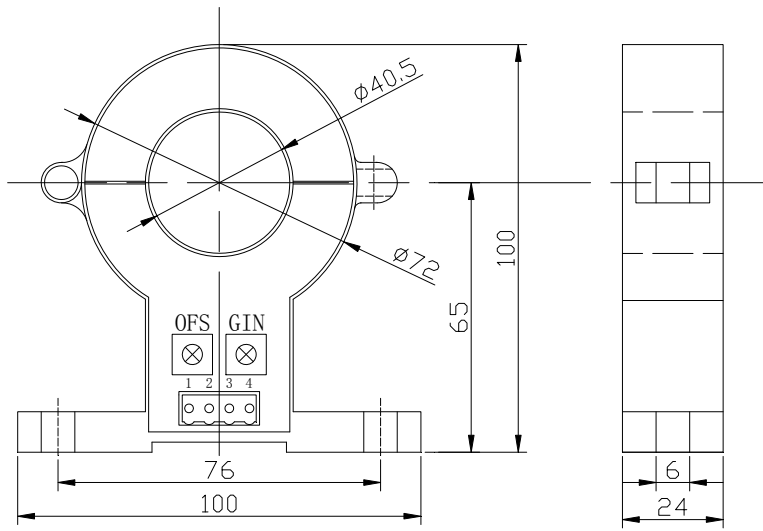


Hall Effect Split Core Current Transducer

SZ1K Serials

model Spec. @25° C	SZ1K				
Nominal current (Ln)	100A	200A	300A	400A	500A
Measuring current range (Peak)	200A	400A	600A	800A	1000A
Analog output	$\pm 4 \pm 1\%V$				
Accuracy	$< 1\%$				
Power supply	$\pm 12V \sim \pm 18V (\pm 5\%)$				
Linearity	$\pm 1\%F_s$				
Zero offset output	$\pm 20mV$				
Temperature drift	$\leq \pm 1mV/^\circ C$				
Response time	$< 20ms$				
Band width	20-20000HZ				
Isolation voltage	4kV rms / 50 Hz / 1Minute				
aperture	20mm				
Operating temperature range	$-40 \sim +85^\circ C$				
Storage temperature range	$-55 \sim +125^\circ C$				



PIN	CONNECTION
1	+12V
2	-12V
3	OUT
4	GND