

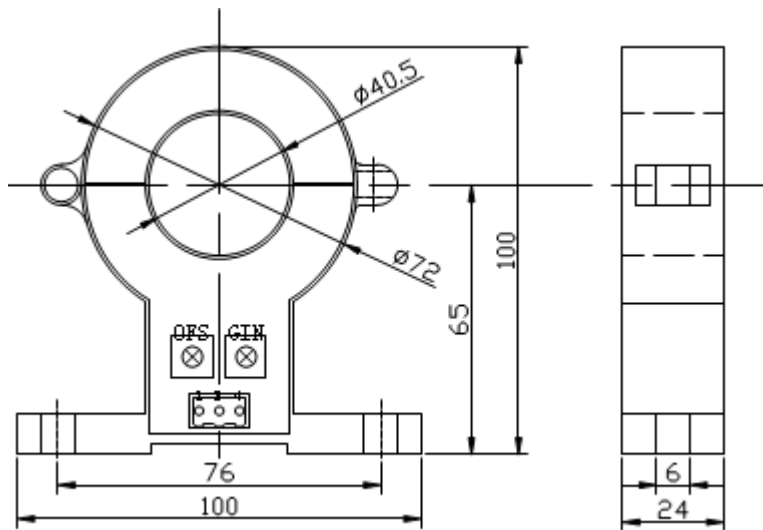
Hall Effect Split Core Current Transducer

SZ140KD12 Serials

model Spec. @25° C	SZ140KD12				
Nominal current (Ln)	100A	200A	300A	500A	1000A
Measuring current range (Peak)	200A	400A	600A	1000A	2000A
Analog output	$\pm 5V$				
Accuracy	$\pm 1\%$				
Power supply	+12V. . +18V ($\pm 5\%$)				
Linearity	$\pm 1\%F_s$				
Zero offset output	$\pm 20mV$				
Temperature drift	$\leq \pm 1mV/^{\circ}C$				
Response time	<20ms				
Band width	DC-20kHz				
Isolation voltage	4kV rms / 50 Hz / 1Minute				
aperture	40mm				
Operating temperature range	-25~+85°C				
Storage temperature range	-55~+125°C				

SZ140KD serials of split core hall effect sensor mainly applied in telecom field. No need to cut the sensed cable to put through the sensor by opening the cover. The auxiliary power supply could be $\pm 12V(\dots \pm 18V)$, single unipolar +12V($\dots+18V$) or single unipolar +5V, the output could be $\pm 5V/4V$ or $2.5V \pm 2.5V$ or $2.5V \pm 1V$ or other else depends on practical applications.

Dimension:



PIN	Connection
1	+12V
2	GND
3	OUT