

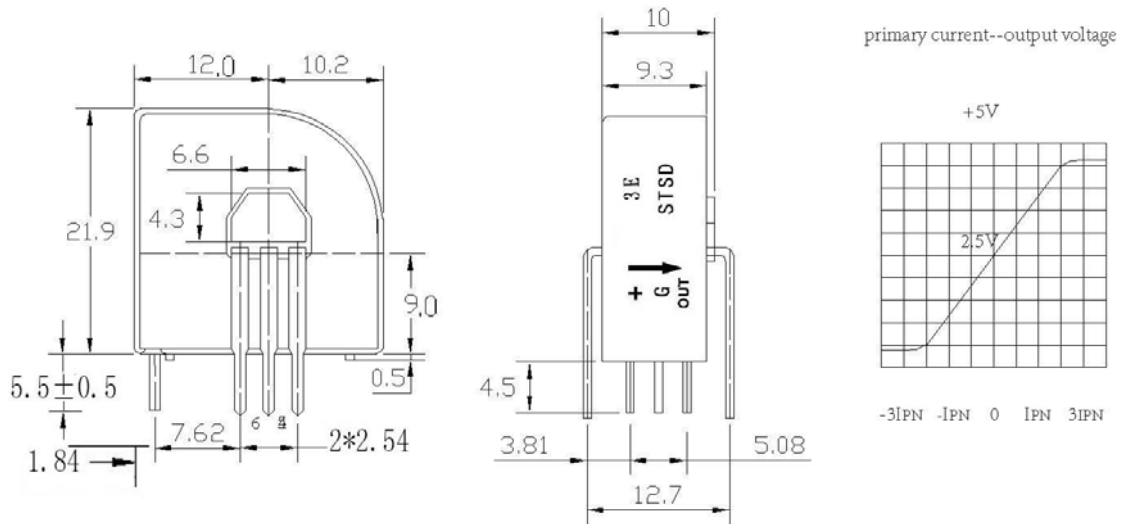
Hall Effect Current Transducer

STSD Serials

(Closed Loop)

model Spec. (@25°C)	STSD-06A	STSD-15A	STSD-25A	STSD-50A
Nominal current (Ln)	6A	15A	25A	50A
Measuring current range (Peak)	0-±19.2A	0-±48A	0-±80A	0-±150A
Coil turns of secondary	960	1200	2000	2000
Internal measuring resistor (Ω)	100±0.1%	50±0.1%	50±0.1%	25±0.1%
Analog output (V)	0.625±0.5%	0.625±0.5%	0.625±0.5%	0.625±0.5%
Power supply (V)	+5±0.5%			
Zero offset output (V)	2.5±0.5%			
Temperature drift(-40°C~85°C)	≤±0.5mV/°C			
Linearity	≤0.1%FS			
Accuracy	±0.7%			
di / dt accurately followed	>50A/μS			
Response time	<500nS			
Band width	DC-200Khz (@-1db)			
Isolation voltage	2.5kV rms / 50 Hz / 1Minute			
Operating temperature range	-40°C~+85°C			
Storage temperature range	-40°C~+125°C			

Dimension (mm) :



Diagram

coil turns	Primary nominal current IPN (A)	output voltage (V)	primary resistor (mΩ)	primary inductor (uH)	connection
1	$\pm 6 (\pm 15, \pm 25, \pm 50)$	2.5 ± 0.625	0.18	0.013	
2	$\pm 3 (\pm 7.5, \pm 12.5, \pm 25)$	2.5 ± 0.625	0.81	0.05	
3	$\pm 2 (\pm 5, \pm 8.3, \pm 16.6)$	2.5 ± 0.62	1.62	0.12	