

3E

Hall Effect Current Transducer

Shenzhen 3E Sensor Co., Ltd <http://www.3ese.com>



Part Number: SC142-1000

Electric Data

Primary nominal RMS current (I_{pn} Amp)	1000A
Primary measuring range (I_p , Amp) (@24V)	0-- \pm 2400A
Max overload not Measurable	10/10KA/ms
Measuring resistance	Rmin Rmax
@1000A, 15V	0 19 Ω
@1000A, 24V	5 Ω 50 Ω
Secondary nominal RMS current	200mA
Conversion ratio	1:5000
Auxiliary supply voltage	\pm 15... \pm 24V
Isolation voltage	6KV/50Hz/1mintue
Current consumption	28mA (@24V) + I_{output}

Accuracy - Dynamic Performance Data

Overall accuracy @ I_{pn} , @25 $^{\circ}$ C	$\leq \pm 0.4\%$
@ I_{pn} , @-40 $^{\circ}$ C...85 $^{\circ}$ C	$\leq \pm 1\%$
Linearity Error	$< 0.1\%$
Offset current @ $I_p=0$, @25 $^{\circ}$ C	$< \pm 0.5mA$
Temperature drift@ $I_p=0$, @-40 $^{\circ}$ C...85 $^{\circ}$ C	$< \pm 1.0mA$
Response time@90%* I_{pn} ,	$< 1\mu S$
di/dt accurately followed (di/dt)	$> 100A/\mu S$
Band width	DC...100KHz

General Data

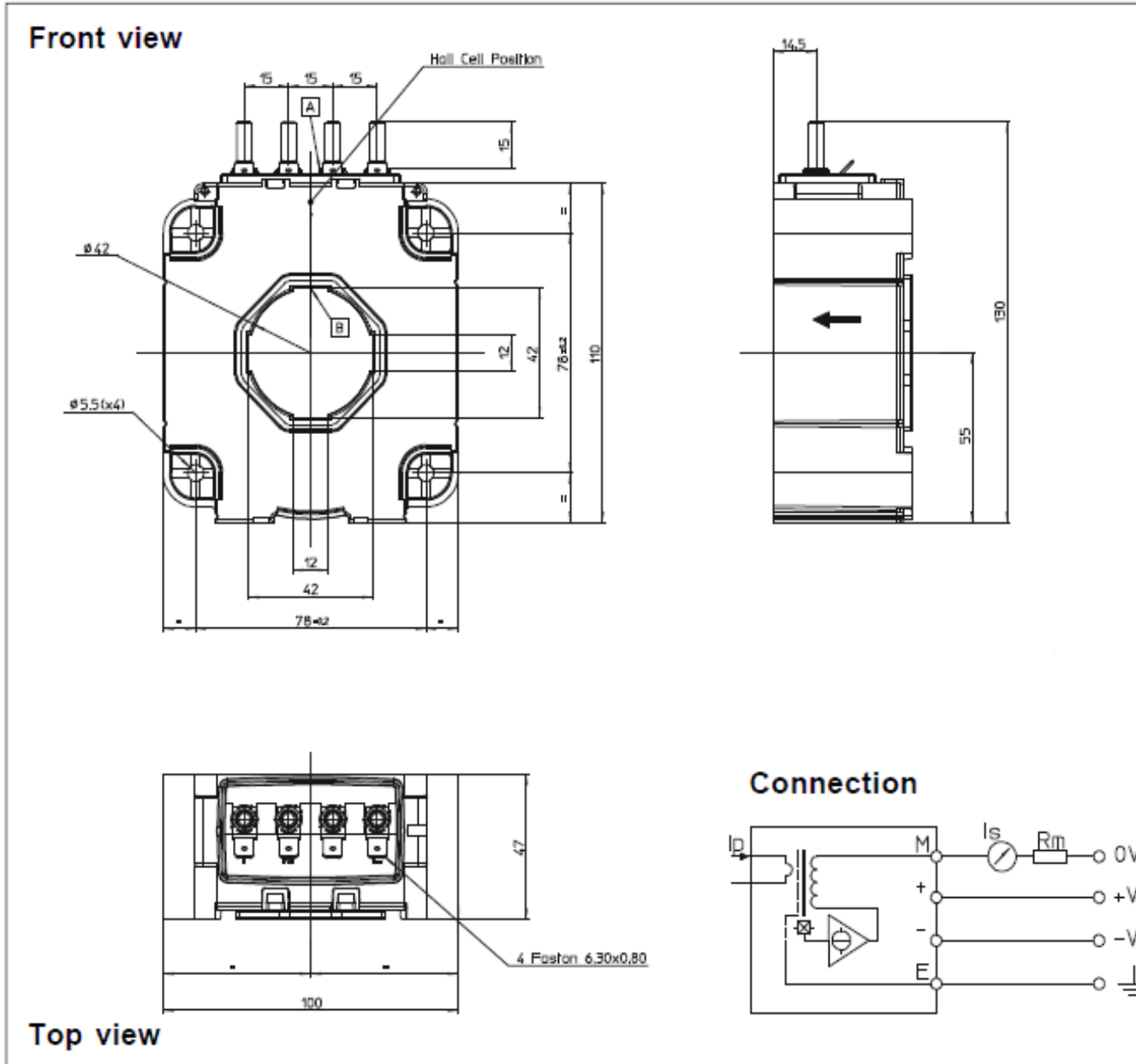
Ambient operating temperature T_A	-40 $^{\circ}$ C..+85 $^{\circ}$ C
Ambient storage temperature T_s	-50 $^{\circ}$ C..+90 $^{\circ}$ C
Secondary coil resistance @ T	31 Ω
Mass	820g
Housing	PA66+GS15%
Standard	EN50155:2001

3E

Hall Effect Current Transducer

Shenzhen 3E Sensor Co., Ltd <http://www.3ese.com>

Dimension (mm) :

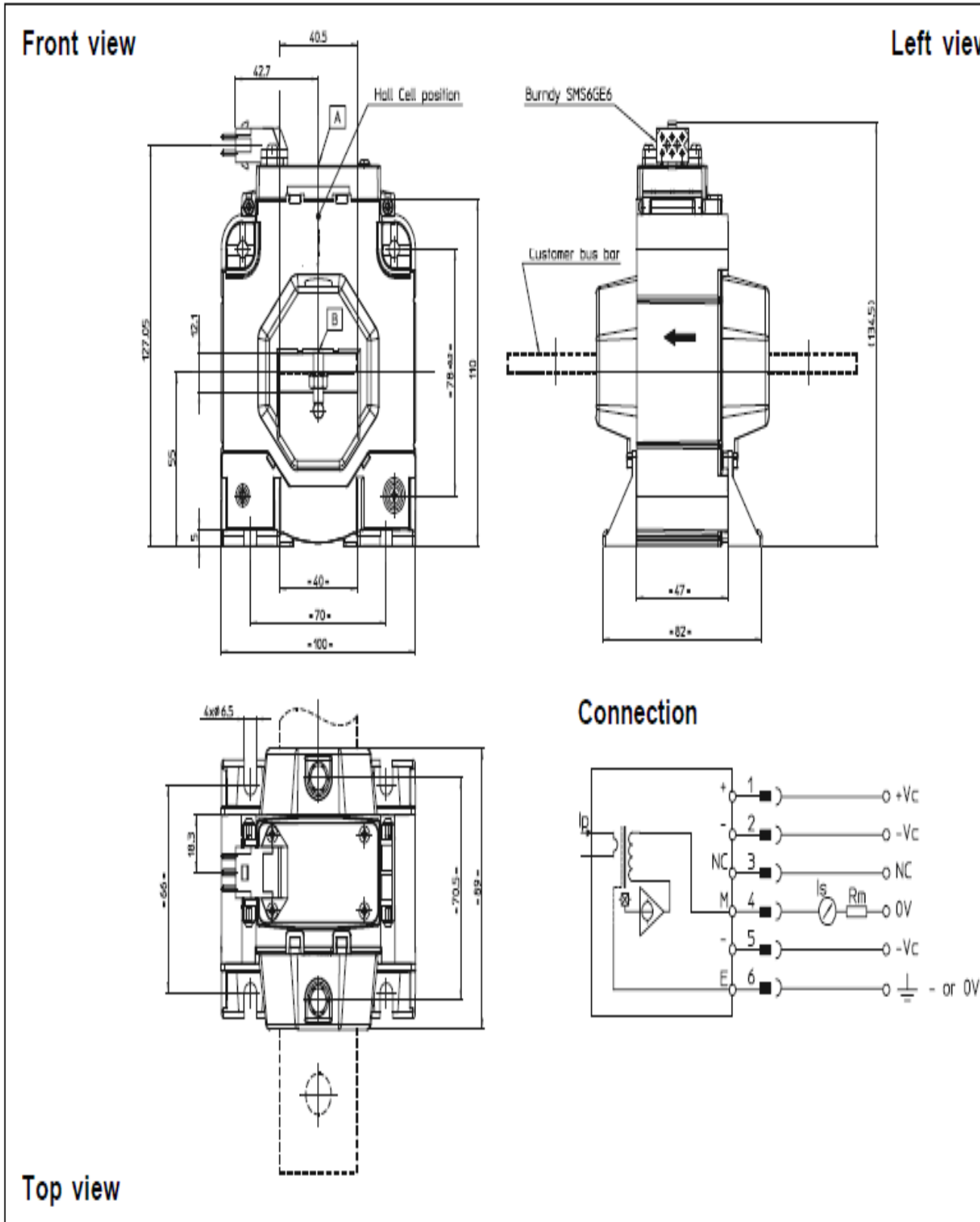


General tolerance: 0.5mm
hole: $\phi 42$ mm

3E

Hall Effect Current Transducer

Shenzhen 3E Sensor Co., Ltd <http://www.3ese.com>



3E reserves the right to carry out the modifications without prior notice

<http://www.3ese.com> Page 3 of 3