



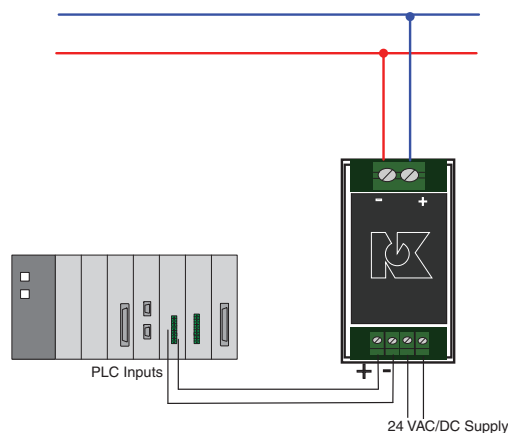
VTD SERIES DC Voltage Transducers

Applications

Voltage Monitoring

- Detect below normal or “brown out” voltage conditions; protect against possible motor overheating.
- Identify conductor loss conditions by detecting voltage reduction in one motor lead.
- Monitor over voltage conditions associated with regenerative voltage to help in diagnosing/avoiding motor drive issues.
- Detect voltage conditions that may cause stress or damage to soft starter components (SCRs).

DC Voltage Transducer Control



VTD Series Voltage Transducers are high-performance transducers for sensing voltage in DC powered installations. Applicable for use on circuits to 600 VDC, VTD voltage transducers provide a fully isolated, 4-20mA output proportional to rated nominal voltage in DC circuits. Housed in a slim, compact, easy-to-install DIN-rail mount enclosure, the VTD Series comes in a variety of nominal voltages.

Features

Accurate Output

- Several ranges available for your application, from 0-15 VDC to 0-600 VDC.

Standard 4-20mA Sensor Powered Output

- Industry standard output makes use with existing controllers, data loggers and SCADA equipment easy and reliable.

Input/Output Isolation

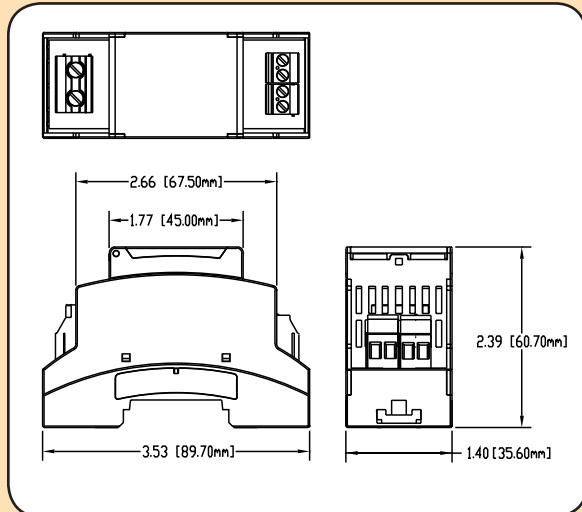
- Input and Output circuitry electrically isolated for improved safety of use.

Compact DIN-rail Mount Enclosure

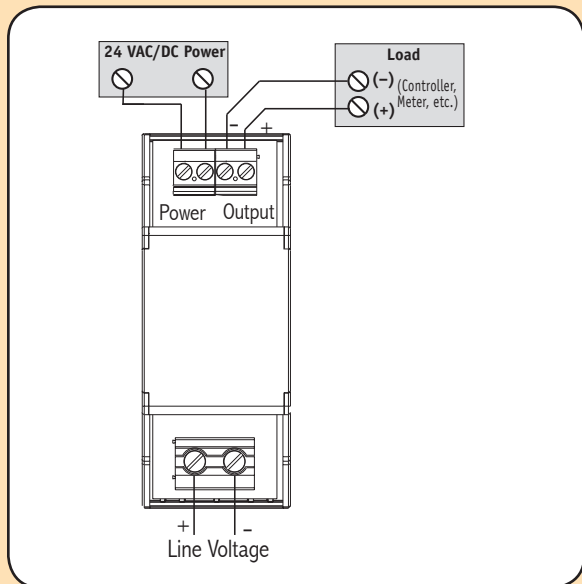
- Space saving 35mm wide enclosure mounts quickly for an attractive installation.



Dimensions



Connections



Specifications

Power Supply	24 VAC/DC (20-45DC, 22-38VAC)
Input	15V, 50V, 300V, 600VDC
Output	4–20mA proportional; capped at 24mA max.
Response Time	250 ms (to 90% value)
Accuracy	<1%
Linearity	<0.5%
Loading	<500 ohms
Isolation Voltage	2500VAC
Frequency Range	DC
Operating Temp.	-30°C to 60°C
Mounting	DIN-rail compatible
Case	UL94 V0 Flammability Rated; noncorrosive thermoplastic
EMC/Immunity	EN50081-1, EN50082-2
Ripple	<1% (peak to peak)
Environmental	-4 to 122°F (-20 to 50°C), 0–95% RH non-condensing

Ordering Information

Sample Model Number: VTD1-420-24L-DIN
 DC voltage transducer with 15V range, standard 4–20mA proportional output; 24V externally powered with a DIN-compatible enclosure.

VTD ⁽¹⁾ - ⁽²⁾ ⁽³⁾ - ⁽⁴⁾

 -
 4
2
0 -
 2
4
U -
 D
I
N

1) Nominal Range

1	15V
2	50V
3	300V
4	600V

2) Output Type

420	4–20 mA
-----	---------

3) Supply Voltage

24U	24V external power supply
-----	---------------------------

4) Mounting

DIN	DIN-rail compatible
-----	---------------------